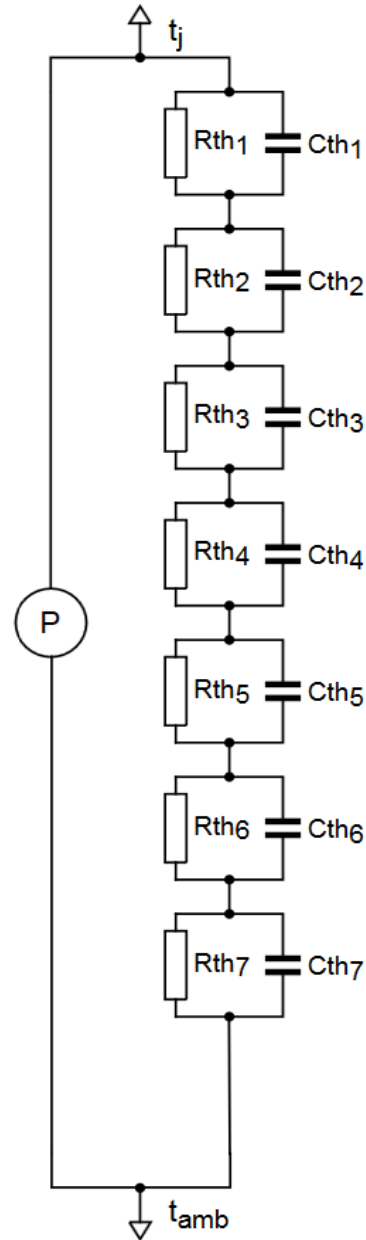


SPICE thermal model

PSMN018-100PSF

Symbol	Parameter	Conditions	Min	Typ	Max	Unit
$R_{th(j-mb)}$	thermal resistance from junction to mounting base		-	-	1.35	K/W

C_{th1}	3.164E-04 F
C_{th2}	2.437E-04 F
C_{th3}	3.656E-04 F
C_{th4}	1.358E-03 F
C_{th5}	3.125E-03 F
C_{th6}	1.405E-02 F
C_{th7}	6.474E-02 F
R_{th1}	4.008E-04 Ω
R_{th2}	5.309E-03 Ω
R_{th3}	2.703E-02 Ω
R_{th4}	8.000E-02 Ω
R_{th5}	3.291E-01 Ω
R_{th6}	7.366E-01 Ω
R_{th7}	1.716E-01 Ω



Part: PSMN018-100PSF

Date: 13/4/2017

Model Rth 1.35 K/W